

NEW

680 mm JIB

JCB Attachments are pleased to announce the launch of the new lifting equipment 680 mm JIB compatible with JCB machines.

- Designed to ensure ease of use and greater control when placing loads
- The 680 mm JIB enables the operator to place a load using crowd and dump
- This attachment is the best choice when you require to place suspended loads close to buildings as the hook is at the very end of the JIB
- This attachment is available for all Q-fit JCB Loadall models*
- This is the only approved 680 mm JIB for JCB machines and testing has been completed to ensure it complies with current lifting legislations
- 680 mm is the distance between the pick-up and the hook
- Capable of lifting loads up to 4T**

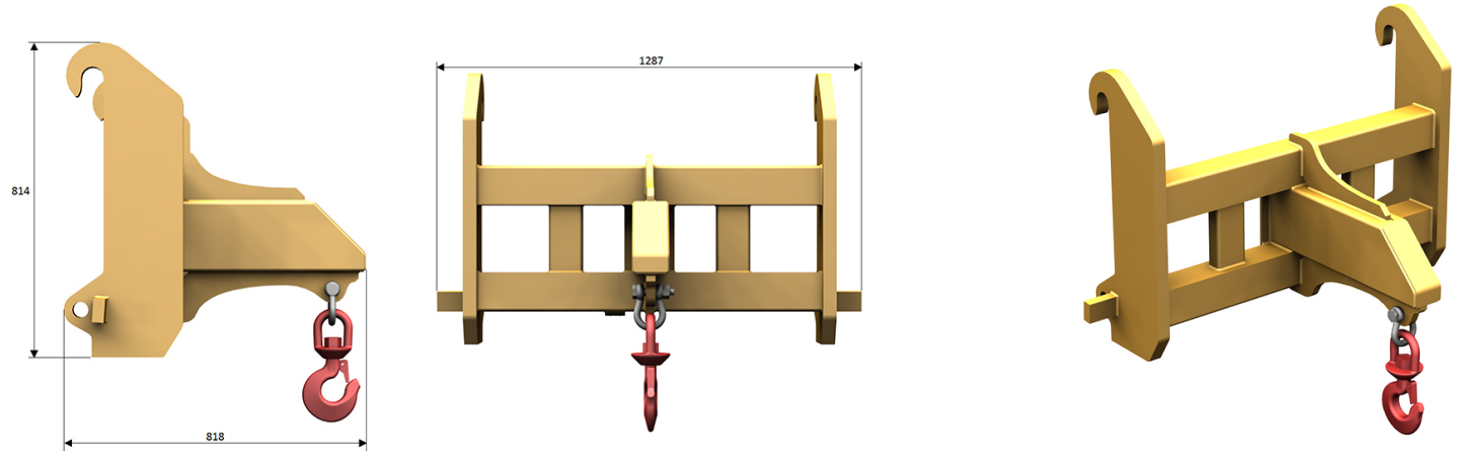
* Providing it is within the machine capacity

** Please refer to the lifting and stability charts in your machine to determine maximum lifting weight for the height you are working at

Learn more at: jcb.com

JCB
ATTACHMENTS

#completingthesolution



PART NUMBER	PICK UP	LIFTING CAPACITY T	JIB SIZE MM	MASS KG	WIDTH (W) MM	HEIGHT (H) MM	DEPTH (D) MM	MACHINE FITMENT
400/C0296	Q-fit	4	680	212	1287	814	818	Q-Fit JCB Loadall machines*

Completing the solution: Using a JCB Attachment with a JCB machine provides the ultimate complete package. Please contact JCB Attachments if you have any questions or visit <https://www.jcb.com/en-gb/attachments>



CONSTRUCTION



RENTAL

TRUSSMASTER

Part of our lifting equipment range, the JCB Trussmaster is Q-fit compatible, enabling fast fitment and changeover.

- Jib base can be set at two positions: transportation and placing
- Transport position for safe and secure transport of roof trusses; the steadying yoke stabilizes the load
- Placing position gives best reach and lift height
- Supplied with bowshackle
- 6m length at full extension
- Removes the need and cost of crane hire



Learn more at: [jcb.com](https://www.jcb.com)

JCB

ATTACHMENTS

#completingthesolution

MODEL NAME	TRUSSMASTER	
Part Number	980/89205	
Type	Manual extension	
Carriage	Q-fit	
Capacity min-max	kg	150 - 300*
Length at full extension	m	6
Weight	kg	230
Machine fitment	535-95 up	

*Max. load actual capacity when fitted shown on machine load charts



Completing the solution: Using a JCB Attachment with a JCB machine provides the ultimate complete package Please contact JCB Attachments if you have any questions or visit <https://www.jcb.com/en-gb/attachments>

**FIND
OUT
MORE**

