

# JCB Attachments

## completing the solution



JCB Sales Limited, Rocester, Staffordshire, United Kingdom ST14 5JP

Tel: **+44 (0)1889 590312** Email: [salesinfo@jcb.com](mailto:salesinfo@jcb.com)

Download the very latest information on this product range at: [www.jcb.com](http://www.jcb.com)

JCB reserves the right to change specifications without notice. Illustrations shown may include optional equipment and accessories.  
The JCB logo is a registered trademark of J C Bamford Excavators Ltd. 9999/5805 en-GB 05/19 Issue 8

**Agricultural Attachments Guide**

[www.jcb.com](http://www.jcb.com)



## Maximum Performance, Maximum Efficiency

Here at JCB, we understand that an attachment should be able to make the most of all the performance and productivity that we build into our machines. No mean feat, but then the latest JCB agricultural attachments are no ordinary tools.

This latest range takes full advantage of cutting edge innovation and technology to offer you ultimate efficiency and usability. Our attachments are designed with valuable input from farmers all over the world, so you can rest assured that whichever one you choose, it will meet your needs right down to the finest details.

### Product Names Explanation

GS-3-QF-63-W

Example: Grain shovel-3m<sup>3</sup>-Q-Fit-6ft3in-Weld on toe plate

**Please note: imperial measurements are approximately to the nearest quarter ft**

## Key

CTC - COMPACT TOOL CARRIER PICKUP

TC - TOOL CARRIER PICKUP

QF - Q-Fit PICKUP

PC - PIN & CONE PICKUP

PCC - PIN & CONE COMPACT

M - MANITOU PICKUP

E - EURO PICKUP

I - INDUSTRIAL (VOLVO) PICKUP

IQF - INDUSTRIAL Q-Fit PICKUP

Z - ZETTMAYER PICKUP

W - WIEDEMANN PICKUP

S - SCHAFFER PICKUP

G - GIANT PICKUP

NB - NO BRACKETS

U - UNIVERSAL

W - WELD ON

B - BOLT ON

A - AG

SG - SPILL GUARD

T - OPTIONAL TOEPALE

C - CONSTRUCTION

F - FORGED TINES

S - STANDARD TINES

H - HARDOX TINES

KV - KVERNELAND TINES

## Contents

Grain Shovels .....	04-07
General Purpose Shovels .....	08-09
6-in-1 Shovels .....	10
Bucket Brush/Bucket Brush Ready Shovels .....	11
Bag Filler Shovels/High Tip Shovels .....	12
Power Grabs .....	13-15
Muck Forks with Top Grab .....	16-17
Grass Forks .....	18-19
Fork Positioners .....	20
Forks .....	21-23
Multi Shovels .....	24-25
Bale Handling .....	26-29
Shear Grab .....	30-31
Grain Pusher .....	32
Weld on Brackets, Bolt on Brackets & Headstocks .....	33
Light Equipment .....	34-41
Compact Excavator Range .....	42-51
Skid Steer Range .....	52-62
Material Weights .....	63



## Grain Shovels

The all-new range of JCB agri grain shovels are manufactured using domex 700mc steel for a 17% strength improvement. What's more, there's now anti-corrosion paint and the option of adding a versatility-boosting bucket brush. The general purpose range of shovels can also have the bucket brush fitted.

- Manufactured using Domex 700MC high tensile, lower weight steel which is 17% stronger than Domex 500
- Pressed and tapered side plates for greater material penetration and improved rigidity and tear out
- Improved geometry enabling greater tear out force with increased material retention
- Rounded edge to prevent damage to crops
- Bolt on blades options offering extended life are available



## Grain Shovels

Part number	Fitted with toeplate	Carriage pick up	Width (mm)	Capacity (m³)	Weight (kg)	Maximum machine capacity (kg)
980/A9989	Weld on	Compact Tool Carrier	1850	1.2	376	2000
980/A9991	Weld on	Compact Tool Carrier	2000	1.3	393	2000
980/A9971	Weld on	Compact Tool Carrier	2150	1.4	410	2000
980/A9997	Weld on	Tool Carrier	2300	1.5	435	2250
980/A9994	Weld on	Tool Carrier	2150	1.6	442	2250
980/A9999	Weld on	Tool Carrier	2300	1.7	461	2250
980/A9953	Weld on	Tool Carrier	2300	2	496	2750
980/A9929	Bolt on	Tool Carrier	2300	1.5	482	2250
980/B0133	Bolt on	Tool Carrier	2150	1.6	486	2250
980/B0134	Bolt on	Tool Carrier	2300	1.7	509	2500
980/A9927	Bolt on	Tool Carrier	2300	2	543	2750
980/A9998	Bolt on	Q-Fit	2300	1.2	425	1750
980/A9946	Weld on	Q-Fit	2000	1.3	399	2000
980/A8954	Weld on	Q-Fit	2150	1.4	416	2000
980/A9982	Weld on	Q-Fit	2300	1.5	433	2250
980/A9975	Weld on	Q-Fit	2450	1.6	450	2250
980/A9931	Bolt on	Q-Fit	2300	1.5	480	2250
980/A9935	Bolt on	Q-Fit	2450	1.6	500	2250
980/A9993	Weld on	Q-Fit	2150	1.6	441	2250
980/A9983	Weld on	Q-Fit	2300	1.7	460	2250
980/B0104	Weld on	Q-Fit	2450	1.8	479	2500
980/A9932	Bolt on	Q-Fit	2300	1.7	508	2500
980/A9984	Weld on	Q-Fit	2300	2	495	2750
980/A9986	Weld on	Q-Fit	2450	2.1	515	2750
980/A8045--	Weld on	Q-Fit	2450	2.1	504	2750
980/A9933	Bolt on	Q-Fit	2300	1.8	542	2750
980/A9936	Bolt on	Q-Fit	2450	2.1	566	2750
980/A9985	Weld on	Q-Fit	2300	2.3	564	3000
980/A9973	Weld on	Q-Fit	2450	2.5	586	3250
980/A9950--	Weld on	Q-Fit	2450	2.5	566	3000
980/A9934	Bolt on	Q-Fit	2300	2.3	630	3000
980/A9937	Bolt on	Q-Fit	2450	2.5	656	3250
980/A9979+	Bolt on	Q-Fit	2450	2.3	652	3250
980/A9951--	Weld on	Q-Fit	2450	2.6	587	3250
980/A9987	Weld on	Q-Fit	2450	2.6	607	3250
980/A9938	Bolt on	Q-Fit	2450	2.6	677	3500
980/A9952--	Weld on	Q-Fit	2450	3	620	3500
980/A9988	Weld on	Q-Fit	2450	3	641	3500
980/A9944	Weld on	Q-Fit	2600	3.2	667	4000
980/A9924	Bolt on	Q-Fit	2450	3	711	3750
980/A9980+	Bolt on	Q-Fit	2450	3	707	3500
980/A9925	Bolt on	Q-Fit	2600	3.2	741	4100
980/A9981+	Bolt on	Q-Fit	2450	4.4	983	4250
980/A9945+	Weld on	Q-Fit	2600	4.6	1025	4100
980/A9956+	Bolt on	Q-Fit	2600	4.6	1118	5500
980/A9948+	Bolt on	Q-Fit	2750	5	1165	5500

## Grain Shovels

Part number	Fitted with toeplate	Carriage pick up	Width (mm)	Capacity (m³)	Weight (kg)	Maximum machine capacity (kg)
980/A9990	Weld on	Pin & Cone	1850	1.2	380	2000
980/A9992	Weld on	Pin & Cone	2000	1.3	397	2000
980/A9972	Weld on	Pin & Cone	2300	1.5	432	2250
980/A9974	Weld on	Pin & Cone	2450	1.6	448	2250
980/A9027	Bolt on	Pin & Cone	2300	1.5	479	2250
980/A9954	Weld on	Pin & Cone	2300	1.7	458	2250
980/B0103	Weld on	Pin & Cone	2450	1.8	480	2500
980/A9995	Weld on	Pin & Cone	2300	2	493	2750
980/A9930	Weld on	Pin & Cone	2450	2.1	513	2750
980/A9928	Bolt on	Pin & Cone	2450	2.1	564	2750
980/A9996	Weld on	Pin & Cone	2300	2.3	552	3000
980/A9978	Weld on	Pin & Cone	2450	2.5	574	3250
980/A9921	Bolt on	Pin & Cone	2300	2.3	618	3000
980/B0101	Bolt on	Pin & Cone	2450	2.5	644	3250
980/A8956	Weld on	Pin & Cone	2450	2.6	593	3250
980/A9923	Bolt on	Pin & Cone	2450	2.6	664	3500
980/A8957	Weld on	Pin & Cone	2450	3	627	3500
980/A8269	Bolt on	Pin & Cone	2450	3	696	3500
980/B4948	Bolt on	Pin & Cone	2450	3.6	964	4100
980/A9958	Bolt on	Manitou	2300	1.5	484	2250
980/A9939	Weld on	Manitou	2300	1.5	437	2250
980/A9959	Bolt on	Manitou	2300	2	547	2750
980/A9940	Weld on	Manitou	2300	2	500	2500
980/A9960	Bolt on	Manitou	2300	2.3	626	3000
980/A9941	Weld on	Manitou	2300	2.3	560	3000
980/B0102	Weld on	Manitou	2450	2.5	582	3250
980/A9922	Bolt on	Manitou	2450	2.5	652	3500
980/A9961	Bolt on	Manitou	2450	2.6	673	3500
980/A9942	Weld on	Manitou	2450	2.6	603	3250
980/A9962	Bolt on	Manitou	2450	3	707	3750
980/A9943	Weld on	Manitou	2450	3	637	3500

All machine compatibility calculated based on JCB machine stability and capacity figures.

+ Specified for 550/560-80 machines.

-- Specified for 535-95 machines with extra 10° dump.

## General Purpose Shovels

Our updated range of general purpose shovels are designed to tackle a wide range of tasks. Manufactured using high quality steel they are built to last even through the toughest of applications.

- High quality steel design
- Drilled toeplates to allow bolt on toeplates or teeth to be fitted
- Lightweight
- A range of sizes to suit all applications
- Designed for maximum durability and productivity



Product name	Part number	Carriage pick up	Width (mm)	Capacity (m <sup>3</sup> )	Weight (kg)	Machine models
GPS-0.5-CTC-53-C	332/U5623	Compact Tool Carrier	1620	0.5	223	515-40
GPS-0.9-CTC-60-W	980/A9967	Compact Tool Carrier	1850	0.9	314	520-40, TM180
GPS-0.7-CTC-50-C	335/06124	Compact Tool Carrier	1550	0.7	265	520-40
GPS-0.7-CTC-66-C-WI	514/00800	Compact Tool Carrier	2020	0.7	324	524-50, 527-55, 527-58
GPS-1.0-CTC-66-W	980/A9969	Compact Tool Carrier	2000	1.0	331	520-40, 520-50, TM220
GPS-1-CTC-69-C	331/112483	Compact Tool Carrier	2050	1.0	311	524-50, 527-55, 527-58
GPS-0.9-TC-70-C	980/82100	Tool Carrier	2110	0.9	320	527-58
GPS-1.1-TC-76-C-SG	980/88130*	Tool Carrier	2300	1.1	330	526-56
GPS-0.9-QF-69-C	332/G2297	Q-Fit	2050	0.9	357	527-58
GPS-1-QF-76-C	980/A5063	Q-Fit	2286	1.0	390	526-56 up
GPS-1-QF-73-C-SG	547/37600*	Q-Fit	2235	1.0	404	531-70 up
GPS-1-QF-76-C-B	980/A7480**	Q-Fit	2286	1.0	455	TM310, 526-56 up
GPS-1-QF-80-C-WI	335/E3117	Q-Fit	2438	1.0	405	-
GPS-1-QF-80-C-T	980/B8000***	Q-Fit	2400	1.0	403	-
GPS-1.2-QF-80-C-T	980/B9000***	Q-Fit	2400	1.2	420	-
GPS-1.6-QF-83-C-SG	333/L7159*	Q-Fit	2525	1.6	674	550-80
GPS-0.9-PC-60-W	980/A9968	Pin & Cone	1850	0.9	320	TM180, TM220
GPS-1.0-PC-66-W	980/A9970	Pin & Cone	2000	1	337	TM220
GPS-1.6-PC-83-C	980/C0035	Pin & Cone	2550	1.6	674	TM420
GPS-0.8-PCC-60-C	980/A9968	Pin & Cone Compact	1850	0.8	348	TM180, TM220
GPS-0.3-E-40-C	400/C2687	Euro	1200	0.3	132	403 WLS
GPS-0.4-E-40-A	400/C4969	Euro	1200	0.4	131	403 WLS
GPS-0.4-E-50-C	400/D7259	Euro	1480	0.4	153	403 WLS
GPS-0.5-E-50-A	400/C2711	Euro	1480	0.5	152	403 WLS
GPS-0.9-E-60-W	980/A9965	Euro	1850	0.9	309	403 WLS
GPS-0.8-I-59-C	334/T3815	Industrial (Volvo)	1750	0.8	283	406, 407 WLS
GPS-0.9-I-63-C	334/T3389	Industrial (Volvo)	1900	0.9	298	406, 407 WLS
GPS-0.3-W-40-C	400/C2689	Weidemann	1200	0.3	136	403 WLS
GPS-0.4-W-40-A	400/C5041	Weidemann	1200	0.4	136	403 WLS
GPS-0.4-W-50-C	400/D7267	Weidemann	1480	0.4	157	403 WLS
GPS-0.5-W-50-A	400/C2735	Weidemann	1480	0.5	156	403 WLS
GPS-0.3-S-40-C	400/C2691	Schaffer	1200	0.3	148	403 WLS
GPS-0.4-S-40-A	400/C5263	Schaffer	1200	0.4	142	403 WLS
GPS-0.4-S-50-C	400/D7270	Schaffer	1480	0.4	169	403 WLS
GPS-0.5-S-50-A	400/C2736	Schaffer	1480	0.5	163	403 WLS
GPS-0.3-G-40-C	400/C2688	Giant	1200	0.3	137	403 WLS
GPS-0.4-G-40-A	400/C5035	Giant	1200	0.4	138	403 WLS
GPS-0.4-G-50-C	400/D7262	Giant	1480	0.4	158	403 WLS
GPS-0.5-G-50-A	400/C2731	Giant	1480	0.5	159	403 WLS

All machine compatibility based on JCB machine stability and capacity figures.

\*Comes with spill guard. \*\*Including Bolt On Toeplate. \*\*\* Optional Toeplate - 980/DD196.

## 6-in-1 Shovel

- Increases machine versatility: dozing, loading, digging, grabbing, backfilling and grading all possible from one unit



Product name	Part number	Carriage pick up	Width (mm)	Capacity (m <sup>3</sup> )	Weight (kg)	Machine models
6-1-0.7-TC-73	980/37200	Tool carrier	2235	0.7	750	-
6-1-1.1-QF-76	980/A2083	Q-Fit	2350	1.1	680	-
6-1-0.8-I-63	334/55111	Industrial (Volvo)	1900	0.8	495	407 WLS
6-1-0.3-SS-50	512/04400	Skid steer	1550	0.3	348	-

All machine compatibility based on JCB machine stability and capacity figures.

## Bucket Brush

**NEW**

JCB Attachments are pleased to announce the addition of 4 new bucket brushes to the existing range. Our bucket brushes now come in 5 sizes, from 1850mm (6ft) to 2450mm (8ft).

The JCB bucket brush is a versatile tool which can be used to sweep a variety of materials such as mud, grain, slurry, aggregate and equine waste.

- With integrated motor valve protection as standard
- Weld on brackets included with the installation kit supplied with the bucket brush
- Poly brush segments to reduce risks to livestock



Part number	Width (mm)	Weight (kg)	Bucket size (m)	Max flow (lpm)	Pressures (bar)
980/A9304	2005	184	1.85	100	250
980/A9305	2155	193	2.00	100	250
980/A9306	2305	202	2.15	100	250
980/A9307	2455	211	2.30	100	250
980/A9308	2605	220	2.45	100	250

## Bucket Brush Ready Shovels

Product name	Part number	Carriage pick up	Width (mm)	Capacity (m <sup>3</sup> )	Weight (kg)
BBRS-1.5-QF-76	980/B0360	Q-Fit	2300	1.5	635
BBRS-1.5-PC-76	980/B0359	Pin & Cone	2300	1.5	641

Bucket Brush Ready Shovels are pre welded ready for bucket brushes which are sold separately.

## Bag Filler Shovels

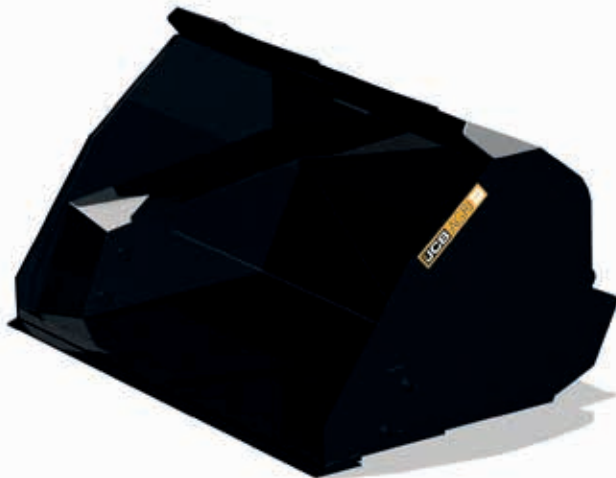
- Designed to fill various types of material into bulk bags
- One person operation to fill and move bags with single machine
- Bolt on or weld on hitch systems to fit all machines
- Hardened steel cutting edge with wear strips on bucket floor. Heel plate also produced with hardened still and reversible bolt on cutting edge



Product name	Part number	Carriage pick up	Width (mm)	Height (mm)	Capacity (m <sup>3</sup> )	Weight (kg)	Machine models
BFS-0.6-QF-56	980/A8500	Q-Fit	1700	775	0.6	476	Loadalls 2.5 tonne and above
BFS-0.6-Z-56	980/A8700	Zettlemeyer	1700	775	0.6	462	407 WLS up
BFS-0.6-T-56	980/A8600	Teletruk	1700	775	0.6	494	2.5 tonne upwards

## High Tip Shovels

- Designed to be able to tip loads over high sided trailers with minimal spilling
- High strength durable steel



Product name	Part number	Carriage pick up	Width (mm)	Capacity (m <sup>3</sup> )	Weight (kg)	Machine models
HTS-3.5-I-89	980/A7568	Industrial	2700	3.5	1900	426 HT WLS*
HTS-3.8-I-89	980/A7569	Industrial	2700	3.8	2000	435S WLS*

\*Using maximum material density of 1000 kg/cm<sup>3</sup>. \*Bolt on toe plate kit – 334/F2267.

## Power Grabs

Our power grabs have been redesigned to further enhance the capabilities of your machine and ensure it is working to its maximum performance and efficiency.

All grabs are provided with suitable tail hoses and quick release couplings making sure when it arrives it is ready to go straight to work.

- Wide range of tine options using forged and Hardox variations to suit all applications featuring improved bosses on the forged tines on the top grab to maximise strength
- Larger opening top grab with a greater clamping force to handle bigger and bulkier loads. With improved geometry enabling it to work up to a wall and robot welded folded steel to add superior strength and rigidity throughout
- Hoses are clamped neatly out of the way of debris to reduce the chance of damage
- Larger electro plated pivot pins, which can be greased and strategically placed wear strips to prolong life, help dissipate stress and reduce the cost of ownership
- Improved spill guard design to protect the hitch on the machine
- Greater visibility of the end tines from the cab to ensure precise material handling and maximum ram protection



\*Additional hoses may be needed for TM range machines if required.

## Power Grabs

Product name	Part number	Carriage pick up	Tines	Width (mm)	Capacity (m <sup>3</sup> )	Weight (kg)	Minimum machine capacity (kg)
PG-0.9-CTC-60-FG-FG	980/B0003	Compact Tool Carrier	KV-KV	1850	0.9	314	1500
PG-1-CTC-66-FG-FG	980/B0005	Compact Tool Carrier	KV-KV	2010	1.0	323	1500
PG-1.5-TC-66-FG-FG	980/B0040	Tool Carrier	KV-KV	1980	1.5	543	2500
PG-1.6-TC-70-FG-FG	980/B0002	Tool Carrier	KV-KV	2150	1.6	557	2500
PG-1.7-TC-76-FG-FG	980/B0019	Tool Carrier	KV-KV	2300	1.7	579	2500
PG-1.7-TC-76-H-FG	980/B0020	Tool Carrier	H-KV	2300	1.7	766	3000
PG-1.7-TC-76-H-H	980/B0021	Tool Carrier	H-H	2300	1.7	776	3000
PG-1.5-QF-66-FG-FG	980/B0034	Q-Fit	KV-KV	1980	1.5	545	2500
PG-1.5-QF-66-H-H	980/B0100	Q-Fit	H-H	2025	1.5	734	2750
PG-1.6-QF-70-FG-FG	980/B0001	Q-Fit	KV-KV	2150	1.6	559	2500
PG-1.6-QF-70-H-H	980/B0099	Q-Fit	H-H	2175	1.6	748	2750
PG-1.7-QF-76-FG-FG	980/B0013	Q-Fit	KV-KV	2300	1.7	581	2500
PG-1.7-QF-76-H-FG	980/B0014	Q-Fit	H-KV	2300	1.7	768	3000
PG-1.7-QF-76-H-H	980/B0015	Q-Fit	H-H	2300	1.7	778	3000
PG-1.8-QF-80-FG-FG	980/B0022	Q-Fit	KV-KV	2450	1.8	603	3000
PG-1.8-QF-80-H-H	980/B0023	Q-Fit	H-H	2450	1.8	808	3000
PG-2.3-QF-76-FG-FG	980/B0016	Q-Fit	KV-KV	2300	2.3	637	3000
PG-2.3-QF-76-H-FG	980/B0017	Q-Fit	H-KV	2300	2.3	724	3500
PG-2.3-QF-76-H-H	980/B0018	Q-Fit	H-H	2300	2.3	743	3500
PG-2.4-QF-80-FG-FG	980/B0024	Q-Fit	KV-KV	2450	2.4	660	3500
PG-2.4-QF-80-H-H	980/B0025	Q-Fit	H-H	2450	2.4	776	3500
PG-2.6-QF-86-H-H	980/B0028	Q-Fit	H-H	2590	2.6	791	4000

Tines  
KV - Kverneland tines H - Hardox tines H-KV Hardox lower - KV upper.

## Power Grabs

Product name	Part number	Carriage pick up	Tines	Width (mm)	Capacity (m <sup>3</sup> )	Weight (kg)	Minimum machine capacity (kg)
PG-0.9-PC-60-FG-FG	980/B0004	Pin & Cone	KV-KV	1850	0.9	316	1500
PG-1-PC-66-FG-FG	980/B0006	Pin & Cone	KV-KV	2010	1.0	325	1500
PG-1.5-PC-66-FG-FG-1	980/B0035	Pin & Cone	KV-KV	1980	1.5	545	2500
PG-1.5-PC-66-FG-FG-2	980/B0041	Pin & Cone	KV-KV	2025	1.5	545	2500
PG-1.7-PC-76-FG-FG	980/B0007	Pin & Cone	KV-KV	2300	1.7	581	2500
PG-1.7-PC-76-H-FG	980/B0008	Pin & Cone	H-KV	2300	1.7	768	3000
PG-1.7-PC-76-H-H	980/B0009	Pin & Cone	H-H	2300	1.7	778	3000
PG-1.8-PC-80-FG-FG	980/B0026	Pin & Cone	KV-KV	2450	1.8	603	3000
PG-1.8-PC-80-H-H	980/B0027	Pin & Cone	H-H	2450	1.8	808	3000
PG-2.3-PC-76-FG-FG	980/B0010	Pin & Cone	KV-KV	2300	2.3	638	3000
PG-2.3-PC-76-H-FG	980/B0011	Pin & Cone	H-KV	2300	2.3	727	3500
PG-2.3-PC-76-H-H	980/B0012	Pin & Cone	H-H	2300	2.3	746	3500
PG-2.4-PC-80-H-H	980/B4949	Pin & Cone	H-H	2450	2.4	773	3500
PG-1.7-M-76-FG-FG	980/B0032	Manitou	KV-KV	2300	1.7	585	2500
PG-1.7-M-76-H-H	980/B0039	Manitou	H-H	2290	1.7	782	3000
PG-1.7-M-76-H-FG	980/B0050	Manitou	H-KV	2325	1.7	772	-
PG-2.3-M-76-KV-FG	980/B0033	Manitou	KV-KV	2300	2.3	644	3000
PG-0.9-E-56-FG-FG	980/B0036	Euro	KV-KV	1710	0.9	285	1500
PG-0.9-E-60-FG-FG	980/B0037	Euro	KV-KV	1850	0.9	299	1500
PG-1-E-66-FG-FG	980/B0038	Euro	KV-KV	2010	1.0	310	1500
PG-1.7-I-76-FG-FG	980/B0052	Industrial (Volvo)	KV-KV	2325	1.7	566	-
PG-1.7-I-76-H-H	980/B0053	Industrial (Volvo)	H-H	2325	1.7	763	-
PG-1.8-I-80-H-H	980/B0029	Industrial (Volvo)	H-H	2450	1.8	799	3000
PG-2.4-I-80-H-H	980/B0030	Industrial (Volvo)	H-H	2450	2.4	769	3500
PG-2.6-I-86-H-H	980/B0031	Industrial (Volvo)	H-H	2590	2.6	784	3500

Tines  
KV - Kverneland tines H - Hardox tines H-KV Hardox lower - KV upper.



## Muck Forks with Top Grab

- A versatile attachment for moving manure, muck, silage and bales
- A proven design, working hard day in, day out, year on year, highly valued by owners and operators
- Heavy duty construction and powerful rams ensure that even the most compacted manure can be efficiently shifted

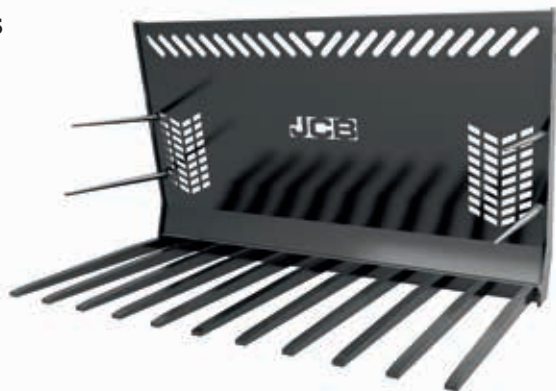
Product name	Part number	Carriage pick up	Tines	Width (mm)	Capacity (m <sup>3</sup> )	Weight (kg)	Machine models
MF-1.8-QF-76-S	980/B0056	Q-Fit	S	2284	1.8	582	526-56 up
MF-1.8-QF-76-F	980/B0061	Q-Fit	F	2284	1.8	470	526-56 up
MF-1.8-QF-76-H	980/B0058	Q-Fit	H	2284	1.8	600	526-56 up
MF-1.8-PC-76-S	980/B0057	Pin & Cone	S	2284	1.8	582	TM310, 526-56 up
MF-1.8-PC-76-F	980/B0060	Pin & Cone	F	2284	1.8	560	TM310, 526-56 up
MF-1.8-PC-76-H	980/B0059	Pin & Cone	H	2284	1.8	600	TM310, 526-56 up
MF-0.3-E-36	980/B0314	Euro	-	1082	0.3	149	403 WLS
MF-0.4-E-46	980/B0317	Euro	-	1402	0.4	172	403 WLS
MF-0.2-W-30	980/B0312	Weidemann	-	892	0.2	132	403 WLS
MF-0.3-W-36	980/B0315	Weidemann	-	1082	0.3	133	403 WLS
MF-0.4-W-46	980/B0319	Weidemann	-	1402	0.4	171	403 WLS
MF-0.3-S-30	980/B0313	Schaffer	-	892	0.3	147	403 WLS
MF-0.3-S-36	980/B0316	Schaffer	-	1082	0.3	163	403 WLS
MF-0.4-S-46	980/B0320	Schaffer	-	1402	0.4	186	403 WLS
MF-0.5-S-36-F	980/A2681	Schaffer	F	1082	0.5	403	403 WLS
MF-0.3-G-30	980/B0311	Giant	-	892	0.3	133	403 WLS
MF-0.3-G-40	980/D0644	Giant	-	1202	0.3	154	403 WLS
MF-0.4-G-46	980/B0318	Giant	-	1402	0.4	173	403 WLS
MF-0.8-RO-56-F	980/88222	Robot	F	1700	0.8	233	Robot 190-1110
MF-SS-60-F	332/L3869	Skid Steer	F	1830	-	159	SSL 260-280
MF-SS-70-F	332/L3879	Skid Steer	F	2130	-	187	SSL 260

Tines  
F - Forged tines H - Hardox tines S - Standard tines.



## High Capacity Grass Forks

Designed specifically for handling large volumes of grass during silage work, the latest JCB high capacity grass forks are now available in more size options than ever – from 2438mm to 3048mm plus extensions. Features include a rear spill guard and hardox tines.



Product name	Part number	Carriage pick up	Width (mm)	Capacity (m <sup>3</sup> )	Weight (kg)	Machine models
HCGF-3.2-QF-80	980/A7707	Q-Fit	2440	3.2	905	-
HCGF-3.6-QF-90	980/A7708	Q-Fit	2745	3.6	1015	-
HCGF-3.2-PC-80	980/A7711	Pin & Cone	2440	3.2	905	-
HCGF-3.6-PC-90	980/A7712	Pin & Cone	2745	3.6	1015	-
HCGF-3.6-I-90	980/A7716	Industrial	2745	3.6	1015	418S, 427HT, 437HT, 427 AGRI WLS
HCGF-4-I-100	980/A7717	Industrial	3048	4.0	1125	418S, 427HT, 437HT, 427 AGRI WLS

## Folding Grass Forks

Specially designed for agricultural contractors operating a wheeled loader, our folding grass forks are made to a high specification. Hydraulically operated side extensions allow you to reduce the unit's width for easy roading and transportation.



Product name	Part number	Carriage pick up	Operating width (mm)	Traveling width (mm)	Capacity (m <sup>3</sup> )	Weight (kg)	Tine length (m)	Machine models
FGF-7.2-IQF-123	980/A1210	Industrial Q-Fit	3702	2640	4.5	1600	1.6	418S WLS
FGF-8-IQF-146	980/A1310	Industrial Q-Fit	4264	2894	4.3	1850	1.6	426, 427, 434, 435 WLS



## Fork Positioners

- Our fork positioners allow the width of the forks to be easily adjusted to fit any sized pallet or bag
- Fork retaining holders allow the forks to be easily folded and made safe for transport
- High capacity rating allowing you to do any job you need them to do
- Compact design to allow good visibility in front of the forks
- Plated end caps on both ends to improve access when servicing



Part number	Carriage pick up	Fork pin diameter (mm)	Max fork width (mm)	Machine models
980/A2051	Q-Fit	50.8	100	up to 535-140
980/A2052	Q-Fit	57	100	up to 540-180

## Industrial Sideshift

- Allows  $\pm 100$ mm sideshift of load for accurate placement
- Fitted between industrial fork frame and forks or other FEM/ITA compatible attachments

**Requires industrial fork frame of correct class. Uses the same forks as the industrial fork frame. Does not include hoses or quick connector.**

Product name	Part number	Class	Operating width (mm)
INDS-1100	515/20034	2	1100
INDS-1200	332/U5615	3	1200

## Integral Sideshift

- Allows fork positioning ready for load pick-up and sideshift of load when placing, especially useful when working at height
- Fits on clearview carriages

**For 535-125 to 540-200, requires Q-Fit clearview carriage (standard on 540-170 and 540-200).**

Product name	Part number	Item	Fork length (mm)	Fork width (mm)	Fork thickness (mm)
INTS	160/13008+	-	-	-	-
-	160/13011	Forks for above*	1200	80	50

+Requires special forks. \*Includes special pin.

## Fork and Frames

Product name	Part number	Carriage pick up	Width of carriage (mm)	Height (mm)	Weight (kg)	Length of forks (mm)	Width of forks (mm)	Distance between forks (mm)	Machine models
FF-E-36	335/A1367	Euro	1100	407	179	1070	100	726 max - 100 min	403 WLS
FF-W-36	335/A1375	Weidemann	1100	407	168	1070	100	726 max - 100 min	403 WLS
FF-S-36	335/E9042	Schaffer	1100	407	184	1070	100	726 max - 100 min	403 WLS
FF-U-36	335/B1878	Giant	1100	407	171	1070	100	726 max - 100 min	403 WLS

## Fork Frames with Floating Forks

- Floating forks aid pick-up of loads on uneven ground by allowing fork tines to ride up and down as they enter the load
- Forks locked in position on fork bar by 'T' handles



Product name	Part number	Item	Carriage pick up	Operating width (mm)	Fork pin diameter (mm)	Fork length (mm)	Fork width (mm)	Fork thickness (mm)	Machine models
FLF-CTC-1015	296/02244	Fork frame and forks	Compact Tool Carrier	1015	44.4	1067	80	40	515-40, 520-40
	331/44702	Forks for above	-	-	44.4	1067	80	40	515-40, 520-40
FLF-CTC-1270-S	296/12034	Fork frame and forks	Compact Tool Carrier	1270	50.7	1067	100	45	524-50, 527-55, 527-58
FLF-CTC-1270-L	296/12045	Fork frame and forks	Compact Tool Carrier	1270	50.7	1200	125	40	524-50, 527-55, 527-58
	514/02400	Forks for above	-	-	50.7	1067	100	45	524-50, 527-55, 527-58
	514/02200	Forks for above	-	-	50.7	1200	125	40	524-50, 527-55, 527-58
FLFP-CTC	514/02000	Fork frame and pin	Compact Tool Carrier	-	44.4	1067	80	40	527-58
FLFR-CTC	332/F0029	Fork frame only*	Compact Tool Carrier	-	1015	-	-	-	TM180, TM220
FLFP-TC-1212	545/47096	Fork frame and pin	Tool Carrier	1212	50.7	-	-	-	527-58, 526-56
	545/82118	Forks for above	-	-	50.7	1067	100	40	527-58, 526-56
	545/82119	Forks for above	-	-	50.7	1200	100	40	527-58, 526-56
FLF-SS-1200-1	980/89727	Fork frame and Forks	Skid Steer	1200	50.7	1200	100	50	515-40
FLF-SS-1200-2	332/E9877	Fork frame and Forks	Skid Steer	1200	50.7	1200	100	50	520-40

Allows  $\pm 100$ mm sideshift of load for accurate placement. Fitted between industrial fork frame and forks or other FEM/ITA compatible attachments.

\*WA only. Requires dataplate, fork pin etc.

## Forks Frames/Industrial Forks

- Compatible with many industrial forklift attachments made to FEM/ITA standards
- Plunger locks engage frame castellations keeping adjustable forks securely placed

Product name	Part number	Item	Carriage pick up	Type	Operating width (mm)	Fork length (mm)	Fork width (mm)	Fork thickness (mm)	Machines models
IFF-SS-1200-1	980/89726	Fork frame and forks	Skid Steer	Class 2	1200	1100	100	-	515-40
IFF-SS-1200-2	332/E9885	Fork frame and forks	Skid Steer	Class 2	1200	1100	100	-	520-40
IFR-CTC-1100	514/00700	Fork frame only	Compact Tool Carrier	Class 2	1100	-	-	-	515-40, 520-40
	333/C6894	Forks for above	-	Class 2	-	1070	100	45	515-40, 520-40
	333/T0061	Forks for above	-	Class 2	-	1200	100	45	515-40, 520-40
IFR-CTC	514/01500	Fork frame only	Compact Tool Carrier	Class 3	1317	-	-	-	524-50, 527-55, 527-58
	333/T0068	Forks for above	-	Class 3	-	1067	100	50	524-50, 527-55, 527-58
	333/T0070	Forks for above	-	Class 3	-	1200	125	50	524-50, 527-55, 527-58
FF-CTC-1345	333/R5603	Fork frame only+	Compact Tool Carrier	Class 2	1345	-	-	-	TM180, TM220
IFR-TC-1370	545/47017	Fork frame only	Tool Carrier	Class 2	1370	-	-	-	527-58, 526-56
	333/C6894	Forks for above	-	Class 2	-	1070	100	45	527-58, 526-56, 531-70
	333/T0061	Forks for above	-	Class 2	-	1200	100	45	527-58, 526-56, 531-70
IFR-QF-1370	545/40000	Fork frame only	Q-Fit	Class 2	1370	-	-	-	527-58, 526-56, 531-70
IFR-QF-1980	545/40200	Fork frame only	Q-Fit	Class 2	1980	-	-	-	527-58, 526-56, 531-70
IFR-QF-1500	545/40800	Fork frame only	Q-Fit	Class 3	1500	-	-	-	TM320, 536-60 to 540-140, 550-80
	333/T0068	Forks for above	-	Class 3	-	1067	100	50	TM320, 536-60 to 540-140, 550-80
	333/T0070	Forks for above	-	Class 3	-	1200	125	50	TM320, 536-60 to 540-140, 550-80
FF-PC-1345	333/R6289	Fork frame only+	Pin & Cone	Class 2	1345	-	-	-	TM180, TM220
	333/S9901	Forks for above	-	Class 2	-	1067	100	40	TM180, TM220
	333/T0057	Forks for above	-	Class 2	-	1200	100	40	TM180, TM220
IFR-PC	331/20086	Fork frame only*	Pin & Cone	Class 3	-	-	-	-	TM320
	333/T0068	Forks for above	Pin & Cone	Class 3	-	1067	100	45	TM320
	333/T0070	Forks for above	Pin & Cone	Class 3	-	1200	100	45	TM320
IFR-M-1170	335/06928	Fork frame only+	Manitou	Class 3	1170	1100	100	50	527-58
	333/C6944	Forks for above	-	Class 3	-	1100	100	50	527-58
IFR-I-1500	511/60900	Fork frame only	Industrial (Volvo)	Class 3	1500	-	-	-	550-80
	511/60800	Forks for above	-	Class 3	-	1220	120	50	550-80
	547/02500	-	-	Class 2B	-	1067	100	45	Forks suitable for all industrial fork frames
	547/08500	-	-	Class 2B	-	1200	100	45	Forks suitable for all industrial fork frames
	547/07900	-	-	Class 2B	-	1067	100	50	Forks suitable for all industrial fork frames
	547/08600	-	-	Class 2B	-	1200	125	50	Forks suitable for all industrial fork frames

## Carriage Mounted Forks

- No payload reduction due to additional weight of fork frame
- Forks easily and quickly removed for fitment of other attachments

Part number	Carriage pick up	Type	Fork pin dia (mm)	Fork length (mm)	Fork width (mm)	Fork thickness (mm)	Machines models
545/82121	Q-Fit	Floating	50.7	1067	100	40	TM320, 526-56 to 531-70
545/82126	Q-Fit	Floating	50.7	1200	125	40	TM320, 526-56 to 535-140
545/82134	Q-Fit	Floating	51	1067	100	45	up to 535-140
545/82136	Q-Fit	Floating	50.7	1200	100	45	up to 535-140
545/82139	Q-Fit	Floating	50.7	1067	100	50	535-125, 535-140
545/82141	Q-Fit	Floating	51	1200	100	50	535-125, 535-140
545/82130	Q-Fit	Floating	57	1067	100	50	536-70 to 540-140, 541-70
545/82132	Q-Fit	Floating	57	1200	100	50	536-70 to 540-140
545/82129	Q-Fit	Floating	57	1200	120	50	536-70 to 540-140
333/D9783	Q-Fit	Floating	57	1067	100	50	540-200
333/F1354	Q-Fit	Floating	57	1200	120	50	540-200
333/E3476	Q-Fit	Floating	57	1067	120	50	550-80
333/E3433	Q-Fit	Floating	57	1200	130	60	550-80
333/E2967	Q-Fit	Floating	57	1200	120	50	550-80
333/S9901	Pin & Cone	Class 2	-	1067	100	40	TM180, TM220
333/T0057	Pin & Cone	Class 2	-	1200	100	40	TM180, TM220



## Multi Shovels

JCB are now offering a brand new range of multi shovels, offering increased shovel load capacity meaning higher productivity, to suit machines from 525-60 to 541-70.

- Now available as a fully fabricated grab or a forged bolt-on option which can be easily replaced
- With 32 variants and 2 tine types as well as a variety of pick up options, the multi shovel offers great versatility
- The grab opens to 1.75m, enabling the easy handling of silage, manure, timber, round and square bales
- Offering a wider choice, the new multi shovel has both weld-on and bolt-on toeplates
- Larger size of grab meaning a higher load capacity and increased size of spill guard but still maintaining great visibility
- Level indicator has been added for shovel positioning and efficiency



## Multi Shovels - Forged Tine

Part number	Carriage pick up	Overall width (mm)	Capacity (m <sup>3</sup> )	Fitted with toe plate	Weight (kg)	Machine models
980/A2004	Tool Carrier	2150	1.45	Weld on	783	526-60, 526-56, 525-60
980/A2012	Tool Carrier	2150	1.45	Bolt on	785	526-60, 526-56, 525-60
980/A2005	Tool Carrier	2350	1.59	Weld on	832	526-60, 526-56, 525-60
980/A2014	Tool Carrier	2350	1.59	Bolt on	831	526-60, 526-56, 525-60
980/A1998	Q-Fit	2350	1.59	Weld on	830	526-60, 526-56, 525-60
980/A2006	Q-Fit	2350	1.59	Bolt on	829	526-60, 526-56, 525-60
980/A1999	Q-Fit	2450	1.66	Weld on	849	535-95, 531-70, 536-60, 536-70, TM320, 541-70
980/A2007	Q-Fit	2450	1.66	Bolt on	847	535-95, 531-70, 536-60, 536-70, TM320, 541-70
980/A2000	Pin & Cone	2150	1.45	Weld on	804	526-60, 526-56, 525-60
980/A2008	Pin & Cone	2150	1.45	Bolt on	806	526-60, 526-56, 525-60
980/A2001	Pin & Cone	2450	1.66	Weld on	872	535-95, 531-70, 536-60, 536-70, TM320, 541-70
980/A2009	Pin & Cone	2450	1.66	Bolt on	870	535-95, 531-70, 536-60, 536-70, TM320, 541-70
980/A2002	Manitou	2350	1.59	Weld on	855	526-60, 526-56, 525-60
980/A2010	Manitou	2350	1.59	Bolt on	854	526-60, 526-56, 525-60
980/A2003	Manitou	2450	1.66	Weld on	874	535-95, 531-70, 536-60, 536-70, TM320, 541-70
980/A2011	Manitou	2450	1.66	Bolt on	872	535-95, 531-70, 536-60, 536-70, TM320, 541-70

## Multi Shovels - Fabricated Grab

Part number	Carriage pick up	Overall width (mm)	Capacity (m <sup>3</sup> )	Fitted with toe plate	Weight (kg)	Machine models
980/A1988	Tool Carrier	2150 (84.6)	1.45	Weld On	778	526-60, 526-56, 525-60
980/A1996	Tool Carrier	2150 (84.6)	1.45	Bolt On	775	526-60, 526-56, 525-60
980/A1989	Tool Carrier	2350 (92.5)	1.59	Weld On	830	526-60, 526-56, 525-60
980/A1997	Tool Carrier	2350 (92.5)	1.59	Bolt On	827	526-60, 526-56, 525-60
980/A1980	Q-Fit	2350 (92.5)	1.59	Weld On	828	526-60, 526-56, 525-60
980/A1990	Q-Fit	2350 (92.5)	1.59	Bolt On	825	526-60, 526-56, 525-60
980/A1981	Q-Fit	2450 (96.5)	1.66	Weld On	847	535-95, 531-70, 536-60, 536-70, TM320, 541-70
980/A1991	Q-Fit	2450 (96.5)	1.66	Bolt On	843	535-95, 531-70, 536-60, 536-70, TM320, 541-70
980/A1982	Pin & Cone	2150 (84.6)	1.45	Weld On	799	526-60, 526-56, 525-60
980/A1992	Pin & Cone	2150 (84.6)	1.45	Bolt On	796	526-60, 526-56, 525-60
980/A1984	Pin & Cone	2450 (96.5)	1.66	Weld On	870	535-95, 531-70, 536-60, 536-70, TM320, 541-70
980/A1993	Pin & Cone	2450 (96.5)	1.66	Bolt On	866	535-95, 531-70, 536-60, 536-70, TM320, 541-70
980/A1986	Manitou	2350 (92.5)	1.59	Weld On	853	526-60, 526-56, 525-60
980/A1994	Manitou	2350 (92.5)	1.59	Bolt On	850	526-60, 526-56, 525-60
980/A1987	Manitou	2450 (96.5)	1.66	Weld On	872	535-95, 531-70, 536-60, 536-70, TM320, 541-70
980/A1995	Manitou	2450 (96.5)	1.66	Bolt On	868	535-95, 531-70, 536-60, 536-70, TM320, 541-70

## Bale Handling

If you need to move bales around on a farm site, then the JCB bale handling attachments are invaluable tools. For total versatility, we offer 6 different bale handling attachments to suit your every need on a variety of machines.

- Options available for a range of pickups and machines
- Bolt on bracket options for universal use



## Single Bale Spikes

- For efficient handling of round bales up to 1800mm diameter
- The lower tine prevents rotation of the bale



Product name	Part number	Carriage pick up	Width (mm)	Weight (kg)	Machine models
SBS-CTC-20	980/25100	Compact Tool Carrier	600	85	TM180, TM220
SBS-TC-19	980/36300	Tool Carrier	550	84	526-56, 527-58
SBS-QF-36	980/25200	Q-Fit	1070	120	526-56 up
SBS-PC-40	980/88011	Pin & Cone	1220	80	TM180, TM220, TM310, 527-58 up

## Twin Bale Spike

- Offers safe and effective handling of two round bales up to 1800m diameter
- Or single rectangular bales up to 1200mm x 1200mm x 2500mm



Product name	Part number	Carriage pick up	Width (mm)	Weight (kg)	Machine models
BF-CTC-63	980/88009	Compact Tool Carrier	1920	140	TM180, TM220
BF-TC-63	980/36200	Tool Carrier	1920	136	526-56, 527-58

## Clap Hands Bale Grab

- No sharp edges for handling wrapped or unwrapped bales
- Double acting ram with check valve for maximum safety
- Ability to lock out one side to aid stacking
- Can handle round or square bales



Product name	Part number	Carriage pick up	Capacity	Width (mm)	Weight (kg)	Frame height (mm)	Paddle height (mm)	Frame depth (mm)	Frame width (mm)	Overall depth (mm)	Open Centres (mm)	Closed Centres (mm)	Minimum machine capacity (kg)
BG-U-46	980/A7957	Universal	Single Bale	1390	179	430	700	210	1390	1100	1810	350	1500

## Twin or Single Bale Spike

- Removable tines so that it can be used as a single or twin bale spike
- Sold as a universal hanger with optional bolt on brackets\* (to be ordered separately)
- Bolt on tines for safe transportation and replacement if worn or damaged



Product name	Part number	Carriage pick up	Width (mm)	Weight (kg)	Upper tine length (mm)	Lower tine length (mm)	Height (mm)
T/SBS-NB-50	980/A7819	No brackets*	1520	87	1250	810	415

## High Back Bale Spike

- Sold as a universal hanger with optional bolt on brackets\* (to be ordered separately)
- Designed to carry 3 Quadrant bales or 2 Heston bales
- Bolt on tines for safe transportation and replacement if worn or damaged
- Tines are forged 40mm square



Product name	Part number	Carriage pick up	Width (mm)	Weight (kg)	Height fully extended (mm)	Height not extended (mm)
HBBS-U-56	980/A7820	Universal**	1660	127	1925	1304

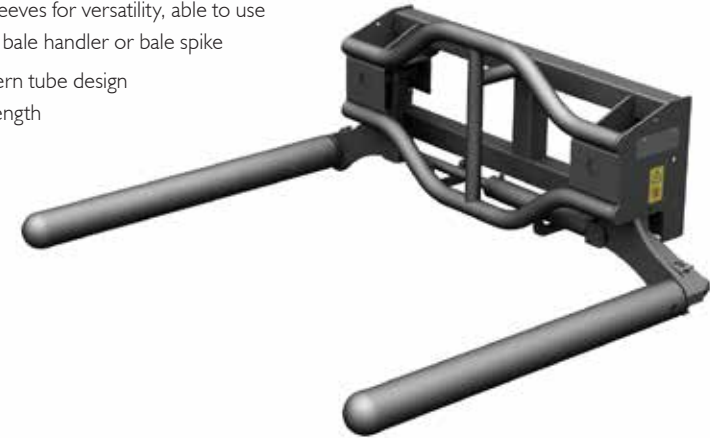
\*Bolt on brackets available. \*\* Bolt on bracket options available.

## Wrapped Bale Handler

**UPDATE**

JCB Attachments are pleased to announce an update to our universal wrapped bale handler. The operator now benefits from better visibility as well as a more modern tube design for added strength.

- Better visibility through the attachment for the operator
- Removable sleeves for versatility, able to use as a wrapped bale handler or bale spike
- A more modern tube design for added strength



Product name	Part number	Carriage pick up	Width (mm)	Height (mm)	Depth (mm)	Open centres (mm)	Closed centres (mm)	Weight (kg)	Minimum machine capacity (kg)
WBH-NB-46	980/A8080	Universal	1583	951	280	1650	730	210	1500 (1 Bale)

With a universal pick up, the bale handler works most productively when used with JCB bolt-on-brackets.

Product number	Bracket
980/B0337	Tool Carrier
980/B0342	Q-Fit
980/B0339	Pin & Cone
980/B0362	Manitou
980/B0343	Euro
980/B0340	Industrial

## Shear Grab

The JCB shear grab features hardox or forged tines, a heavily reinforced construction and a powerful action, ensuring that you can cut grass and maize silage cleanly from the clamp all day long.

- Enclosed front and sides
- Forged tines
- Smooth clamp face cut
- Heavy duty design
- Suitable for loaders and telehandlers
- Individual serrated blades

Product name	Part number	Carriage pick up	Tines	Width (mm)	Opening height (mm)	Capacity (m <sup>3</sup> )	Weight (kg)	Minimum machine capacity (kg)
SHG-1.1-U-50-W	980/A7904	Universal	Welded	1500	800	1.1	516	1800
SHG-1.2-U-60-W	980/A7905	Universal	Welded	1800	800	1.2	565	2100
SHG-1.4-U-73-W	980/B3102	Universal	Welded	2200	800	1.4	681	2500
SHG-2.5-U-73-W	980/B7002	Universal	Welded	2200	1025	2.5	897	3000
SHG-2.9-U-82-W	980/B7001	Universal	Welded	2500	1025	2.9	961	3500

Above are all universal pick up with weld on tines, designed to be used alongside our bolt on brackets.

Product number	Bracket
980/B0337	Tool Carrier
980/B0342	Q-Fit
980/B0339	Pin & Cone
980/B0362	Manitou
980/B0343	Euro
980/B0340	Industrial

Bolt on bracket options for universal shear grabs (to be ordered separately).





## Grain Pusher

Designed to make optimum use of your grain store capacity. It has a 2286mm (90in) blade and a tubular frame for ultimate strength and minimum weight.

- This attachment is especially useful when operating over above-floor drying ducts
- Because there are no flat edges your grain can fall freely
- A tubular frame using high-tensile steel maximises strength and minimises weight
- Designed for ultimate performance, reliability and productivity, the JCB grain pusher is the only approved attachment of its type for JCB machines

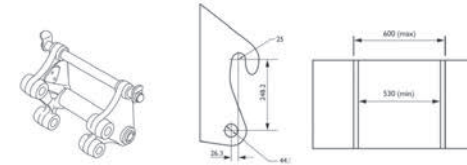
Product name	Part number	Carriage pick up	Width (mm)	Size (Ft in)	Weight (kg)	Machine models
GRP-QF-100	980/A9910	Q-Fit	2438	10 Ft	440	3.1T -
GRP-QF-126	980/A9912	Q-Fit	2433	12 Ft 6in	480	3.1T -



## Weld on Brackets

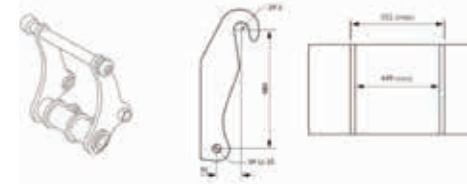
### JCB Compact Tool Carrier

Product number	Carriage
980/88043	Blank location bracket (pair)



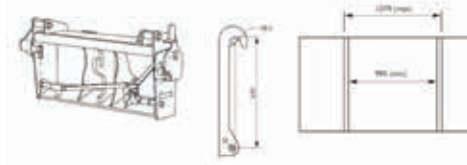
### JCB Tool Carrier

Product number	Carriage
980/44700	Blank location bracket (pair)



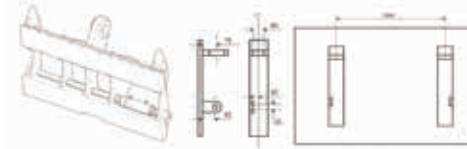
### JCB Q-Fit

Product number	Carriage
980/88042	Blank location bracket (pair)



### Pin & Cone

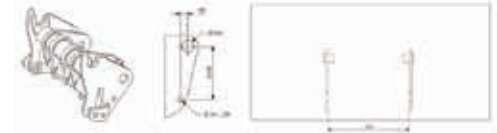
Product number	Carriage
980/89852	Blank location bracket (pair)



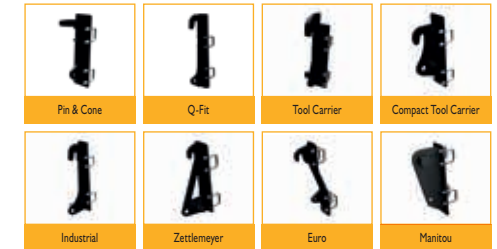
\*Maintained by JCB Service.

## Manitou

Product number	Carriage
980/89867	Blank location bracket (pair)



## Bolt on Brackets



Product number	Bracket
980/B0338	Compact Tool Carrier
980/B0337	Tool Carrier
980/B0342	Q-Fit
980/B0339	Pin & Cone
980/B0362	Manitou
980/B0343	Euro
980/B0340	Industrial
980/B0341	Zettlemeyer

## Headstocks

Product number	Carriage	Description	Machine fitment
333/E7710*	Tool Carrier	Hydraulic	526S
333/C9387	Tool Carrier	Manual	536
332/F9726*	Std Tool Carrier	-	527-58
160/13266	Q-Fit	Manual	526S
980/89933	Q-Fit	Hyd Lock Kit	536
333/C4677	Pin & Cone	Hydraulic	530/536
160/14689	Manitou	Manual	530/536
160/14797*	Manitou	Hyd Lock Kit	530/536

## Light Equipment

A growing tide of opinion says that hydraulic powerpacks make better business sense than rival pneumatic or electric options. The combination of performance and a compact user-friendly design has ensured that the overall efficiency really is without comparison.

Not surprisingly, JCB is leading the way. We offer a comprehensive range of powerpacks, breakers and tools which set the standards by which others are judged.

Thanks to their far greater efficiency, JCB hydraulic powerpacks can deliver equal tool performance using a far smaller engine than found in a typical air compressor. Consequently, they are far more portable and fuel efficient. You can also trust them to get through a tremendous workload without encountering overheating problems.



## Dumpster

The HTD5 is a compact, walk behind, high-tip, diesel-powered Dumpster designed by JCB to save you time, energy and money.

- Maximum machine width of just 690mm fits through a standard doorway
- 1450mm tip height tips directly into a skip or high sided vehicle
- High carrying capacity of 500kg lets you do more in less time
- CESAR Datatag option
- Pull-out engine gives you easy access for daily checks, servicing and maintenance
- Electric start as standard
- Lifting buzzer and bull bar available as options



### NEW

JCB Attachments are pleased to announce the introduction of additional dumpsters to the existing range which will include an hour meter.



#### The benefit of the hour meter:

- Allows you to track use and wear
- Helps you plan your next service
- Improves your resale value with the ability to monitor maintenance
- The hour meter is great for rental customers - ensuring hire rates are correct for actual usage

Model name	Dumpster	
Part number	Specification	
980/A3225	without bull bar (UK)	
980/A3226	with bull bar (UK)	
980/A3227	without bull bar (non-UK)	
980/A3228	with bull bar (non-UK)	
980/D1100	with hour meter (UK only)	
980/D2200	with hour meter and bull bar (UK only)	
Maximum engine power	kW (hp)	4.4 (5.9)
Maximum carry capacity	kg (lb)	500 (1102)
Machine weight	kg (lb)	515 (1135)
Maximum operating weight (with load)	kg (lb)	975 (2150)
Maximum machine width	mm (ft-in)	690 (2-3)
Overall height (transport position)	mm (ft-in)	1100 (3-7)
Skip height (tipping position)	mm (ft-in)	800 (2-7)
Maximum height (tipping position)	mm (ft-in)	2720 (9-0)
Skip ground clearance (tipping position)	mm (ft-in)	1450 (4-9)
Two speed tracking maximum speed	kph (mph)	4 (2.5)
Fuel tank capacity	litres (in <sup>3</sup> )	4.3 (262)

## Powerpacks

A powerful and robust Powerpack yet still lightweight, ideally suited to the rigours of the rental market, this is the most popular Powerpack in the JCB range.

Also available with diesel engine.

- Unique suction circuit eliminates pulsation damage to cooler
- Lift up handle makes portability second to none
- Power-on-demand system that reduces off load engine speed to idle, giving reduced noise levels, less engine wear and lower fuel consumption
- Integral hose track prevents damage to hoses
- Swing open frame provides excellent maintenance access to engine and hydraulics
- Adjustable hydraulic flow gives precision control of tools



Model name	Micro	Beaver	Beaver (diesel)	Beaver (electric start)
Part number	929/92200	929/16400	929/40043	929/40044
Engine	Honda GX160	Honda GX240	Lombardini 15LD	Lombardini 15LD
Fuel	Petrol	Petrol	Diesel	Diesel
Power	hp 5.5	8	6.8	6.8
EHTMA category	C	C	C	C
Hydraulic flow	l/min 0 - 20	0 - 20	0 - 20	0 - 20
Max pressure	bar 87	138	138	138
Weight	kg 45.5	66	83	92
Height x width x length	mm 480 x 435 x 630	615 x 530 x 720	655 x 640 x 780	655 x 640 x 780
Hydraulic oil capacity	l 3.3	5	5	5
Fuel capacity	l 3.6	6	4.3	4.3
Main hoses	m 5	7	7	7

## Handheld Breakers

Pound for pound, blow for blow, the JCB range of breakers is the best for demolition and breaking work. They'll power their way through most jobs. Thanks to their excellent power-to-weight ratio, our breakers will give amongst the best performance of any type of breaker in their class.

- Vibro damped handles which give amongst the lowest vibration levels of any equivalent breaker
- Sealed hydraulic system resulting in low noise (no exhaust port) and elimination of freezing problems
- Very robust cast steel construction for maximum strength and durability
- High reliability and long service life, thanks to only having two moving parts and constant lubrication by hydraulic oil



Model name	HM22	HM25	HM25LV	HM29
Part number	929/92600 25mm chisel 929/92500 22mm chisel	929/92400	929/A6000	929/92700 20l/min 929/92900 30 l/min
Weight	kg 21	26	27	29
Tool / chisel size hex	mm 22 or 25	32	32	32
Hydraulic flow	l/min 15 - 22	18 - 22	18 - 22	18 - 22 or 28 - 32
Pressure range	bar 50 - 65	90 - 110	90 - 110	90 - 110
Blow frequency	blows/min 1500	1500	1500	1500
Vibration (BS622-5)	m/s <sup>2</sup> 3.4	4	1.6	5
Sound power level dB	Lwa 106	108	108	108

## Trash Pumps

Rugged durable range of submersible trash pumps used for pumping water with mud, leaves, twigs, sand, sewage and sludge in it. Used to handle matter that would clog most other pumps. Available in two different flow ranges 20 and 30 litre.

- Greater lift height than suction pumps
- Self priming and run dry
- Unique combi sealed – protects main pump seal
- 5000hrs sealed bearings – minimal maintenance required
- Removable wear plate – protects pump housing



Model name	Trash pump	
Part number	980/A4874	980/A4869
Intake port	mm 102	102
Discharge port BSP Male	mm 100	100
Hyd. flow range	l/min 0 - 20	0 - 30
Maximum discharge	l/min 2160	2640
Maximum head	m 10.5	15
Operating pressure	bar 138	138
Weight	kg 32	32
Width x height	mm 482 x 511	482 x 511
EHTMA class	C	C

## Submersible Pumps

JCB offer two types of clear water submersible pump to suit two different hydraulic flow Powerpacks. They are self priming with high power-to-weight ratio. Being hydraulically driven, they are self lubricating and maintenance free and will run dry without damage.

- Flat faced quick-release dripless couplings for speed of attachment change
- Lifting eye to aid placement
- Self priming for speed of use
- Supplied with 10m x2in lay flat hose
- Capable of pumping solids in suspension up to 8mm (6/10in) diameter for extra versatility



Model name	Submersible pump	
Part number	929/03900	929/04500
Discharge port BSP Male	mm 50	50
Hyd. flow range	l/min 0 - 22	0 - 32
Maximum discharge	l/min 700	820
Maximum head	m 18	18
Operating pressure	bar 138	138
Weight	kg 8.2	8.5
Width x height	mm 230 x 302	230 x 302
EHTMA class	C	C

## Earth Drill

JCB hand held Earth Drills are capable of drilling holes from 102mm (4in) up to 305mm (12in) in diameter, depending on the size of the auger flight fitted. Thanks to its hydraulic drive, this unit has more torque than most petrol engine units, making it strictly a two-man operation.



- Automatic return to neutral safety device
- Reversible for powering out of ground
- Diameter hole capacity from 102 to 305mm

### Optional Items

- Various diameter auger flights
- Fittings, couplings, adapters
- Extension flights

Model name	Earth drill
Part number	929/13400
Capacity	mm 305
Hole depth	mm 1220
Auger flights	mm 100, 150, 200, 250, 305
Torque	Nm 295
RPM	l/min 136 @ 20
Weight	kg 15
Height	mm 1295
Max. pressure	bar 138
Optimal flow	l/min 15 - 23 Class C

## Compact Excavator Range

JCB's range of mini and midi excavator equipment is expanding and so are the attachments to compliment this range. JCB attachments allow you to tailor your machine to suit a variety of applications. The following pages details our range of 8008 - 8026 attachments that are now available from your agricultural dealer.



## Manual Hitches

- Increases safety and reduces operator effort when changing buckets and attachments
- Durable design, with hardened steel jaws that keep wear to a minimum
- Mechanically operated with spring loaded lock released by use of a tomy bar
- High visibility safety lock pin prevents accidental loss of bucket or attachment



Product name	Operation	Weight (kg)	Pin diameter (mm)	Machine models
980/88424	Manual	12	25	Micro Plus, 8010-8020
980/B4000	Manual	14	30	15C, 16C, 18Z, 19C
980/88451	Manual	37	35	8025

## Hydraulic Hitches

- Reduces down time to change attachment and ensures optimum attachment is easily fitted
- Two independent locking mechanisms ensure the attachment is held safely ensuring operator safety
- Fully controlled from within the cab with boom position sensors to ensure operation within a safe zone
- CE marked and tested for use on JCB Compact Excavators



Product name	Operation	Weight (kg)	Pin diameter (mm)	Machine models
980/B6000	Hydraulic**	97	30	19C*

## Conversion Hitches

Product name	Operation	Weight (kg)	Machine pin diameter (mm)	Attachment pin diameter (mm)	Machine models
980/B5000	Manual**	13	30	25	15C, 16C, 18Z, 19C

## Conversion Brackets

Product name	Operation	Weight (kg)	Machine pin diameter (mm)	Attachment pin diameter (mm)	Machine models
400/T6913	Conversion 801X	10.5	30	25	15C, 16C, 18Z, 19C
400/T7138	Conversion Kubota	10.4	30	30	15C, 16C, 18Z, 19C

\*Only compatible with the e-prop 19C machine model. \*\*Requires compatible hydraulic service, see Service Parts Pro for details.

## General Purpose Buckets

- A rolled top section increases structural integrity
- Replaceable wear parts increase durability and extend the working life
- Pivot pins/kits available to enable quickhitch mounting for increased productivity



Part number no pins	Part number with pins	Outer width (mm)	Capacity (m <sup>3</sup> )	Weight excluding pins (kg)	Pin size	Machine models
239/00187*	980/A0326	150	0.008	12	25	Micro 8008
239/00188	980/A0327	230	0.012	17	25	Micro 8008
239/00189	980/A0328	300	0.018	19	25	Micro 8008
239/00204	980/A0329	400	0.026	23	25	Micro 8008
522/07200	980/A0331	160	0.009	20	25	8010 to 8020
522/00100	980/A0332	230	0.014	25	25	8010 to 8020
522/00300	980/A0333	300	0.019	28	25	8010 to 8020
522/00500	980/A0334	400	0.026	33	25	8010 to 8020
522/01100	980/A0335	450	0.041	40	25	8010 to 8020
522/00700	980/A0336	600	0.046	47	25	8010 to 8020
980/B0508	980/B0521	150	0.011	19	30	15C, 16C, 18Z, 19C
980/B0435	980/B0522	230	0.02	20	30	15C, 16C, 18Z, 19C
980/B0436	980/B0523	300	0.027	22	30	15C, 16C, 18Z, 19C
980/B0437	980/B0524	400	0.039	26.3	30	15C, 16C, 18Z, 19C
980/B0438	980/B0525	450	0.044	27.9	30	15C, 16C, 18Z, 19C
980/B0439	980/B0526	600	0.061	33.7	30	15C, 16C, 18Z, 19C
980/90468	980/A0338	230	0.023	48	35	8024 to 8026**
980/90469	980/A0339	300	0.033	58	35	8024 to 8026**
980/90470	980/A0340	460	0.054	71	35	8024 to 8026**
980/90471	980/A0341	600	0.074	86	35	8024 to 8026**
980/90472	980/A0342	760	0.094	100	35	8024 to 8026**
522/01800***	-	305	0.52	49	35	8024 to 8026**

## Bladed Buckets



Part number with pins	Outer width (mm)	Capacity (m <sup>3</sup> )	Weight excluding pins (kg)	Pin size	Machine models
980/B0501	150	0.011	20.4	30	15C, 16C, 18Z, 19C
980/B0502	230	0.02	22.8	30	15C, 16C, 18Z, 19C
980/B0503	300	0.027	25.8	30	15C, 16C, 18Z, 19C
980/B0504	400	0.039	30.1	30	15C, 16C, 18Z, 19C
980/B0505	460	0.044	32.3	30	15C, 16C, 18Z, 19C
980/B0506	610	0.061	38.7	30	15C, 16C, 18Z, 19C

\*Requires 2 x bucket pins 522/03301. \*\*Optional weld in bucket pins 980/86023. \*\*\*Square hole bucket.

## Dedicated Quickhitch Buckets

- Purpose designed for use with a quickhitch
- Pins set close to bucket shell boost tear out performance
- Long, flat base improves bottom trenching and load retention



Part number with pins	Outer width (mm)	Capacity (m <sup>3</sup> )	Weight excluding pins (kg)	Pin size	Machine models
980/90598	230 (9)	0.022	43	35	8024 to 8026
980/90599	305 (12)	0.033	51	35	8024 to 8026
980/90600	450 (17.7)	0.057	54	35	8024 to 8026
980/90601	600 (23.6)	0.08	64	35	8024 to 8026
980/90602	750 (29.5)	0.103	75	35	8024 to 8026

## Ditch Maintenance Buckets

- A central reinforcing plate gives added strength and rigidity
- A rolled top section increases structural integrity
- Drainage holes on ditch maintenance buckets allow water to escape, giving a better fill factor



Part number no pins	Part number with pins	Outer width (mm)	Capacity (m <sup>3</sup> )	Weight excluding pins (kg)	Pin size	Machine models
239/00190	980/A0330	700	0.026	32	25	Micro 8008
522/06400	-	750	0.044	40	25	8010
522/06400	-	750	0.044	40.4	25	8014 to 8020
522/00900	980/A0337	900	0.078	46	25	8014 to 8020
522/01600	-	1000	0.087	50	25	8014 to 8020
980/B0107	-	760	0.067	36.8	30	15C, 16C, 18Z, 19C
980/B0108	-	1000	0.091	44.9	30	15C, 16C, 18Z, 19C
980/90506	980/A0343	1000	0.076	78	30	8024 to 8026
980/A0540*	-	1000	0.098	57	30	8024 to 8026
522/04800	-	1200	0.212	127.3	30	8024 to 8026
522/04900	-	1200	0.131	100.4	30	8024 to 8026

\*Quickhitch only.

## Earth Drills

- For accurate and precise drilling of fence and post holes
- The heavy duty gearbox and compact, powerful drive head
- Complete with hanger bracket and connection hoses



Part number	Maximum flight diameter (mm)	Torque (Nm)	Weight (kg)	Pin size	Machine models
980/A4162*	300	1500	59.4	25	Micro 8008
980/B3202	460	1500	63.8	30	15C, 16C, 18Z, 19C
980/A4309	760	3500	130	35	8024 to 8026

## Flight Options

Model name	Diameter (mm)	Weight (kg)
<b>STANDARD FLIGHTS (SHORT): 1000mm long, bolt-on teeth, for light to moderate ground conditions</b>		
980/A2020	160	15
980/A2021	230	28
980/A2024	300	38
980/A2026	380	45
<b>STANDARD FLIGHTS: 1200mm long, bolt on teeth, for light to moderate ground conditions</b>		
980/A2019	160	19
980/A2022	230	39
980/A2023	300	52
980/A2025	380	60
980/A2027	460	80
980/A2028	600	12
980/A2029	760	14
980/A2030	900	20
<b>HEAVY DUTY FLIGHTS: 1200mm long, socketed teeth, for difficult ground conditions: compacted soils, heavy clay, asphalt, frozen ground and fracturable rock</b>		
980/A2031	230	45
980/A2032	300	58
980/A2034	380	63
980/A2035	460	92
980/A2037	600	124
980/A2038	760	141
980/A2039	900	195
<b>ROCK DUTY FLIGHT: 1200mm long, carbide bullet style teeth, for solid, fracturable rock, frozen ground and compacted soils</b>		
980/A2040	300	49
980/A2042	460	91
<b>Adjustable extension bar, up to 1000mm</b>		
980/A2043	-	-

### Standard Duty



### Heavy Duty



### Rock Duty





## Professional Breakers

The professional breaker range has been designed and built with to withstand the more arduous breaking tasks. These breakers are able to power through even the toughest of applications, living up to the expectations set by the professional range.

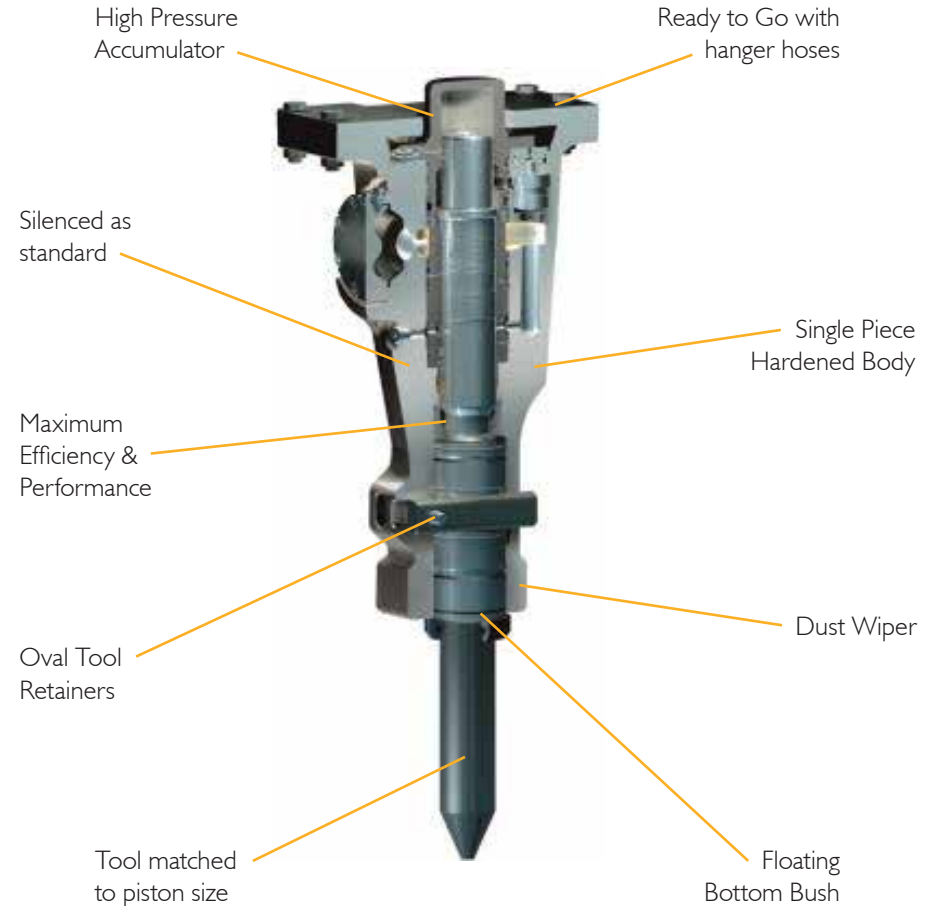
- Supplied 'ready to go' with hoses, hangar bracket,moil and chisel tools. No hangar brackets or hoses on universal models
- Solid body design provides maximum strength with lower weight
- Durable design with low maintenance accumulator helps reduce maintenance costs
- Exact match of tool and piston diameter maximises blow energy transfer
- Energy not absorbed by the material being broken is used to lift the tool which pressurises the accumulator ready for the next blow. Reusing this energy increases impact force and reduces running costs
- Class leading power to weight ratio
- Silenced as standard to reduce noise pollution



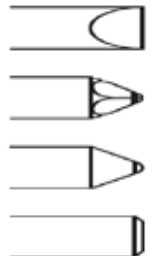
**3YEAR**  
JCB STANDARD WARRANTY

Model	Part number	Pick up mount	Pin size	Operating weight (kg)	Blow rate (bpm)	Tool diameter (mm)	Oil flow (l/min)	Pressure (bar)	Impact energy (j)	Noise level (dBA)	Carrier weight (tonnes)	Machine models
HM100Q	980/88320	Top	25	115	900 - 1320	45	15 - 32	160	170	119	0.5 - 2.0	Micro 8008 to 8018
HM100Q	980/H6662	Top	30	115	900 - 1320	45	15 - 32	160	170	119	0.5 - 2.0	15C, 16C, 18Z, 19C
HM140Q	980/A4685	Side	30	127	960 - 1320	50	15 - 40	210	240	124	1.5 - 4.0	15C, 16C, 18Z, 19C
HM140Q	980/A4408	Side	35	127	960 - 1320	50	15 - 40	210	240	124	1.5 - 4.0	8020 to 8026
HM166Q	980/A7840	Universal*	-	162	1020 - 1750	50	40 - 60	100 - 150	252	86	1.2 - 3.2	Universal

\*No hangar brackets or hoses.



Breaker tools	
Breaker model	HM266Q
Moil	331/52394
Chisel (cross cut/H)	331/52395
Wide transverse chisel (wedge in line/V)	331/52397
Blunt (flat end)	331/52398
Wide chisel	331/52396
Asphalt cutter	331/52399
Asphalt cutter transverse	331/52400



## Contractor Breakers

Our contractor breaker range has been designed where overall project cost is key, they offer unrivalled value for money to the rental and construction sectors. These versatile breakers are fully approved and tested for flow, pressure, compatibility and fitment as part of every machine development programme we carry out.

- Stroke adjusters on the HM054T allow operators to adjust the tool speed and stroke length for increased productivity
- Accumulators ensure that machines are completely protected from hydraulic pressure spikes
- Internal control valves deliver higher efficiency and are far less vulnerable than competitors products featuring external units
- Available as side mount, top mount or universal for non JCB machinery
- Vibro isolation rubber buffers absorb repercussion from hammering to reduce damage to the carrier
- Twin oval tool retaining pins deliver double the service life of a standard pin
- Rock claw with anti abrasion tool made from hardox steel for shifting material in readiness for breaking
- Moil & chisel tool provided as standard
- Topped up using hand held grease gun
- Comes with gas charging kit unless stated otherwise



Model	Part number	Pick up mount	Pin size	Operating weight (kg)	Blow rate (bpm)	Tool diameter (mm)	Oil flow (l/min)	Pressure (bar)	Impact energy (j)	Noise level (dBA)	Carrier weight (tonnes)	Machine models
HM012T	980/A6283	Side	25	120	800 - 1400	40	12 - 25	90 - 120	300	110	0.5 - 2.0	Micro 8008 to 8018
HM012T	980/B5211	Top	30	120	800 - 1400	40	12 - 25	90 - 120	300	110	0.5 - 2.0	15C, 16C, 18Z, 19C
HM012T	980/A6282	Universal*	25	120	800 - 1400	40	12 - 25	90 - 120	300	110	0.5 - 2.0	Universal
HM018T	980/B0260	Top	30	187	600 - 1500	57	23 - 70	90 - 120	560	125	1.5 - 4.0	8020 to 8026
HM018T	980/B0261	Top	30	187	600 - 1500	57	23 - 70	90 - 120	560	125	1.5 - 4.0	8020
HM018T	980/B0262	Universal*	30	187	600 - 1500	57	23 - 70	90 - 120	560	125	1.5 - 4.0	Universal

Breaker tools		
Breaker model	HM012T	HM018T
Moil	333/G3316	334/C6976
Chisel (cross cut/H)	333/G4283	334/C6978
Transverse chisel (wedge in line/V)	-	335/H7422
Blunt (flat end)	-	335/H7423

\*No hanger brackets or hoses.

**3YEAR**  
JCB STANDARD WARRANTY

## Skid Steer Range

JCB range of attachments gives you ultimate versatility to your Skid Steer Loader. From shovels to sweepers and snow blades to patch planers, optional JCB 7-way multi-function joysticks allow you to easily use any of them to their full potential. This means you can use your JCB skid steer all year round from landscaping to snow clearing. Regardless of what attachments you choose, you can rest assured they've been designed to stringent JCB standards and built to perfectly complement your machine.



## Augers

- Sealed planetary gear reduction with heavy-duty gear design provides long life and minimal maintenance with low service costs
- Reverse rotation for quickback out, which aids in shedding material from the auger bit
- Hydraulic relief valve protects the unit from damage if auger comes in to contact with a large immovable object



Part number	Model	Flow demand	Torque at 172 bar (Nm)																
				135	155	175	190	205	150T	190T	205T	225/250	260/270	280	300	330	225T/250T	260T/270T	300T
332/L3978	PASf	standard	2700	•	•	•	•	•	•	•	•	•	•	•	•	•	•	•	•
332/L3979	PAHf	high	4900	•	•	•	•	•	•	•	•	•	•	•	•	•	•	•	•
<b>AUGER BITS 1200mm long, 2in hex drive, bolt-on teeth, for light to moderate ground conditions</b>																			
<b>STANDARD DUTY bolt-on teeth, for light to moderate ground conditions</b>																			
Part number	Diameter (mm)																		
980/A2019	150	•	•	•	•	•	•	•	•	•	•	•	•	•	•	•	•	•	•
980/A2021	230	•	•	•	•	•	•	•	•	•	•	•	•	•	•	•	•	•	•
980/A2023	305	•	•	•	•	•	•	•	•	•	•	•	•	•	•	•	•	•	•
980/A2025	380	•	•	•	•	•	•	•	•	•	•	•	•	•	•	•	•	•	•
980/A2027	460	•	•	•	•	•	•	•	•	•	•	•	•	•	•	•	•	•	•
980/A2028	610	•	•	•	•	•	•	•	•	•	•	•	•	•	•	•	•	•	•
980/A2029	760	•	•	•	•	•	•	•	•	•	•	•	•	•	•	•	•	•	•
980/A2030	915	•	•	•	•	•	•	•	•	•	•	•	•	•	•	•	•	•	•
<b>HEAVY DUTY socketed teeth, for difficult ground conditions: compacted soils, heavy clay, asphalt, frozen ground and fracturable rock</b>																			
980/A3001	150	•	•	•	•	•	•	•	•	•	•	•	•	•	•	•	•	•	•
980/A2031	230	•	•	•	•	•	•	•	•	•	•	•	•	•	•	•	•	•	•
980/A2032	305	•	•	•	•	•	•	•	•	•	•	•	•	•	•	•	•	•	•
980/A2034	380	•	•	•	•	•	•	•	•	•	•	•	•	•	•	•	•	•	•
980/A2035	460	•	•	•	•	•	•	•	•	•	•	•	•	•	•	•	•	•	•
980/A2037	610	•	•	•	•	•	•	•	•	•	•	•	•	•	•	•	•	•	•
980/A2038	760	•	•	•	•	•	•	•	•	•	•	•	•	•	•	•	•	•	•
980/A2039	915	•	•	•	•	•	•	•	•	•	•	•	•	•	•	•	•	•	•
<b>TREE AND SHRUB bolt-on teeth, pilot flight for tree and shrub planting</b>																			
980/L7251	460	•	•	•	•	•	•	•	•	•	•	•	•	•	•	•	•	•	•
980/L7257	610	•	•	•	•	•	•	•	•	•	•	•	•	•	•	•	•	•	•
980/L7267	760	•	•	•	•	•	•	•	•	•	•	•	•	•	•	•	•	•	•
980/L7270	915	•	•	•	•	•	•	•	•	•	•	•	•	•	•	•	•	•	•
<b>AUGER BITS 1200mm long, 2in hex drive, bolt-on teeth, for light to moderate ground conditions</b>																			
Part number	Length (mm)																		
980/L7271	305	•	•	•	•	•	•	•	•	•	•	•	•	•	•	•	•	•	•
980/L7272	460	•	•	•	•	•	•	•	•	•	•	•	•	•	•	•	•	•	•
980/L7273	610	•	•	•	•	•	•	•	•	•	•	•	•	•	•	•	•	•	•

## Bale Spear

- Heavy-duty frame with replaceable tines
- Designed to keep bales close to machine for safe handling
- Load guard protects and stabilizes the load



Part number	Model																			
		135	155	175	190	205	150T	190T	205T	225/250	260/270	280	300	330	3TS-8W/Ret.*	3TS-8W/Ext.*	225T/250T	260T/270T	300T	320T
332/L5627	BSP	•	•	•	•	•	•	•	•	•	•	•	•	•	•	•	•	•	•	•

## Sweeper Collectors

- 50/50 poly wire brush segments for long-term durability
- Heavy-duty one piece canopy for superior structural strength
- Optional water kit and gutter brush available
- Large diameter drive shaft and generous bearings for increased durability
- Operates in forward or reverse direction increasing productivity



Part number	Model	Operating width (mm)	Hopper capacity (m³)																	
				135	155	175	190	205	150T	190T	205T	225/250	260/270	280	300	330	225T/250T	260T/270T	300T	320T
980/A7495	SC150	1525	0.46	•	•	•	•	•	•	•	•	•	•	•	•	•	•	•	•	•
980/A7496	SC180	1850	0.50				•	•	•	•	•	•	•	•	•	•	•	•	•	•
980/A1295	SC214	2140	0.64						•	•	•	•	•	•	•	•	•	•	•	•

\*Ret. - Retracted. Ext. - Extended.

## Angle Brooms

- 813mm diameter poly wire brush provides long-term durability
- Bristle replacement is simplified thanks to the drive motor detaching from the core with no need to disconnect hydraulic lines
- Reinforced hood design provides maximum strength at the end of the hood where high stress may occur
- Fold away storage stands protect bristles from flattening when not in use



Part number	Model	Operating width straight (mm)	Operating width 30° (mm)																	
				135	155	175	190	205	150T	190T	205T	225/250	260/270	280	300	330	3TS-8W/Ret.*	225T/250T	260T/270T	300T
332/X2465	BR60	1520	1320	•	•	•	•	•	•	•	•	•	•	•	•	•	•	•	•	•
332/L3992	BR72	1830	1585																	
332/L4027	BR84	2030	1850																	
<b>HYDRAULIC ANGLE KIT - ANGLE BROOM</b>																				
332/L3983	Hydraulic Angle Kit for Angle Broom (Requires Optional 7 Way Joysticks)			•	•	•	•	•	•	•	•	•	•	•	•	•	•	•	•	•

## Brush Cutters (Requires additional guarding)

- High speed, dual rotation blades cut and mulch heavy brush up to 100mm in diameter
- Access ports and hinged shrouding for easy routine maintenance
- 6 mm steel deck with reinforced side plates provide high strength and durability
- Stump jumper feature protects gearbox in the event of a sudden impact
- High deck clearance and unobstructed deck design prevents debris build up and improves overall performance
- Blade-stall indicator allows blade speed monitoring



Part number	Model	Flow demand	Overall width (mm)	Cutting width (mm)																
					135	155	175	190	205	150T	190T	205T	225/250	260/270	280	300	330	3TS-8W/Ret.*	225T/250T	260T/270T
332/X4291	BC72	Standard	2160	1830																
332/X4292	BC72HF	High	2160	1830																
332/X4293	BC78HF	High	2310	1980																

\*Ret. - Retracted.





## Brush Grapples

- Dual, independent grapples hold irregularly shaped material securely in place
- 1016mm grapple opening allows for large payloads
- Guards protect all ram components from potential damage
- Standard load check valves provide positive clamp force



Part number	Model	Width (mm)	Weight (kg)																		
				135	155	175	190	205	150T	190T	205T	225/250	260/270	280	300	330	225T/250T	260T/270T	300T	320T	
333/L5021	HBG60	1520	324	•	•	•	•	•													
333/L5022	HBG66	1680	335	•	•	•	•	•													
332/L4030	HBG72	1830	420						•	•	•	•	•	•	•	•	•	•	•	•	•
332/L4033	HBG78	1980	453																		
332/L4035	HBG84	2130	478																		

## Scrap Grapples

- Heavy-duty design to withstand the demands of harsh applications such as scrap handling, recycling, demolition
- Dual, independent grapples hold irregularly shaped material securely in place
- 1016mm grapple opening allows for large payloads
- Guards protect all ram components from potential damage
- Standard load check valves provide positive clamp force



Part number	Model	Width (mm)	Weight (kg)																		
				135	155	175	190	205	150T	190T	205T	225/250	260/270	280	300	330	225T/250T	260T/270T	300T	320T	
333/L1085	HSG60	1520	318	•	•	•	•	•													
333/L1109	HSG66	1680	335	•	•	•	•	•													
332/L4036	HSG76	1930	490						•	•	•	•	•	•	•	•	•	•	•	•	•
332/L4039	HSG82	2080	514																		

## Silage Defacer

- Inverted auger cutter design loosens and removes silage from compacted clamps
- Open frame design provides great visibility to the face of the clamp
- Maintains a smooth compacted clamp face to reduce spoilage and improve palatability for livestock
- Cutting action of defacer maintains original silage cut length
- Inboard mounted motor allows cutting up to adjacent clamp walls
- Frame stand protects cutting rotor during storage



Part number	Model	Working width (mm)	Flow demand																		
				135	155	175	190	205	150T	190T	205T	225/250	260/270	280	300	330	225T/250T	260T/270T	300T	320T	
332/X4338	SD96	2460	Standard																		

## Snow Blowers

- 2-stage hydraulic snow blowers are able to throw snow up to 1.4m
- Poly-lined chute and deflector are easily set-up to direct snow discharge using JCB multi-function controls
- Direct drive hydraulic motor design eliminates unnecessary moving components, promoting less wear and longer life
- 635mm (Standard Flow) and 910mm (High Flow) shroud openings allow high volumes of snow to be moved quickly and efficiently
- Includes adjustable skid shoes and bolt-on replaceable wear-resistant tapered steel edge
- Provides optimum visibility to working area



Part number	Model	Working width (mm)	Working height (mm)	Flow demand																	
					135	155	175	190	205	150T	190T	205T	225/250	260/270	280	300	330	225T/250T	260T/270T	300T	320T
333/L6154	SBL60	1520	610	Standard	•	•	•	•	•	•	•	•	•	•	•	•	•	•	•	•	•
332/X4383	SBL72	1830	635	Standard		•	•	•	•	•	•	•	•	•	•	•	•	•	•	•	•
332/X4384	SBL78	1980	635	Standard																	
332/X4385	SBL84	2130	635	Standard																	
334/L2463	SBL72SPHF	1830	890	High		•	•	•	•	•	•	•	•	•	•	•	•	•	•	•	•
332/X4399	SBL72HF	1830	915	High																	
334/L2491	SBL78SPHF	1980	890	High																	
332/X4400	SBL78HF	1980	915	High																	
332/X4401	SBL84HF	2130	915	High																	







# MULTI SHOVEL

JCB Attachments offer a range of 32 multi shovels to suit machines from 525-60 to 541-70 enabling greater customer choice.



LEARN  
MORE



**JCB**  
ATTACHMENTS

#completingthesolution

## 1 Grab options

Forged tines and fabricated grab.

## 2 Toeplate options

Reversible bolt-on and weld-on with reliable Hardox 500 hb.

## 3 Pick ups available

Q-fit, Pin and cone, Manitou, Tool carrier.

## 4 Capacity

Three different capacity sizes are offered in the range - 1.45 m<sup>3</sup>, 1.59m<sup>3</sup> and 1.66m<sup>3</sup> - and the grab opens up to 1.75m, enabling easy handling of silage, manure, timber round and square bales.

## 5 Durability

The strong hydraulic cylinder with end dampening to reduce shock at the end of the cycle - system fitted as standard - ensure refinement and durability.

## 6 Hose Routing & Protection

A service hose storage and a fitted spiral wrap to protect hoses come as standard. The protecting cylinder hoses have also been re-phased for additional hose protection.

## 7 Visibility

Spill guard size has been increased whilst maintaining excellent visibility thanks to the gaps within the JCB logo.

## 8 Productivity

The new design allows the multishovel to be fully operational against walls, enabling the operator to efficiently handle all material. The wide opening grab, coupled up with excellent cylinder strength, allows for a very good grip of the material, increasing productivity and safety on site. Moreover, the side profile design allows the material collection to be kept to its minimum.

## 9 Level indicator

A yellow level indicator has been added to facilitate the shovel positioning letting you do more in less time.

## 10 Structure

The design structure is made of steel S355 and it is characterised by a Monobloc 8mm shell, ensuring quality and strength.





# MULTI SHOVEL

Forged tines / Fabricated grab



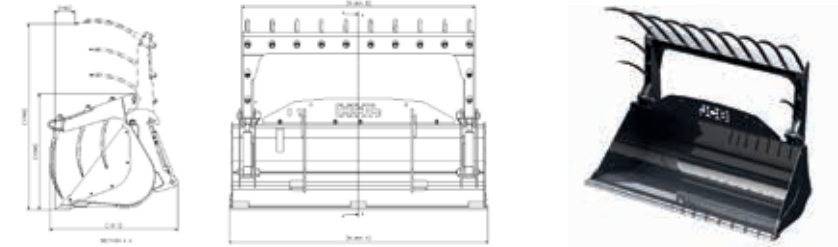
Completing the solution: Using a JCB Attachment with a JCB machine provides the ultimate complete package. Please contact JCB Attachments if you have any questions or visit <https://www.jcb.com/en-gb/attachments>

Learn more at: [jcb.com](https://www.jcb.com)



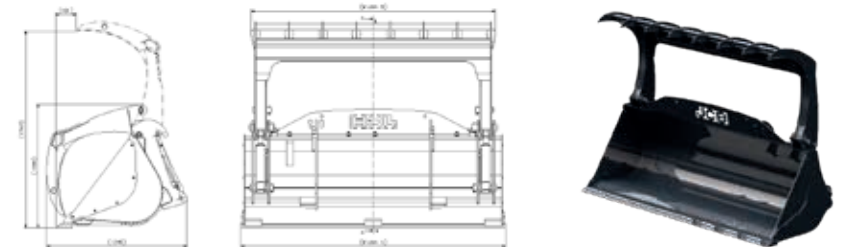
#completingthesolution

## FORGED TINES



PART NUMBER	WIDTH A (mm)	WIDTH B (mm)	CAPACITY (M <sup>3</sup> )	ATTACHMENT PICKUP	TOEPLATE TYPE	WEIGHT (kg)	MACHINE FITMENT
980/A1998	2350	2105	1.59	Q-Fit	Weld-on	830	526-60, 526-56, 525-60
980/A1999	2450	2205	1.66	Q-Fit	Weld-on	849	535-95, 531-70, 536-60, 536-70, 541-70, TM320
980/A2000	2150	1905	1.45	Pin & Cone	Weld-on	804	526-60, 526-56, 525-60
980/A2001	2450	2205	1.66	Pin & Cone	Weld-on	872	535-95, 531-70, 536-60, 536-70, 541-70, TM320
980/A2002	2350	2105	1.59	Manitou	Weld-on	855	526-60, 526-56, 525-60
980/A2003	2450	2205	1.66	Manitou	Weld-on	874	535-95, 531-70, 536-60, 536-70, 541-70, TM320
980/A2004	2150	1905	1.45	Tool Carrier	Weld-on	783	526-60, 526-56, 525-60
980/A2005	2350	2105	1.59	Tool Carrier	Weld-on	832	526-60, 526-56, 525-60
980/A2006	2350	2105	1.59	Q-Fit	Bolt-on	829	526-60, 526-56, 525-60
980/A2007	2450	2205	1.66	Q-Fit	Bolt-on	847	535-95, 531-70, 536-60, 536-70, 541-70, TM320
980/A2008	2150	1905	1.45	Pin & Cone	Bolt-on	806	526-60, 526-56, 525-60
980/A2009	2450	2205	1.66	Pin & Cone	Bolt-on	870	535-95, 531-70, 536-60, 536-70, 541-70, TM320
980/A2010	2350	2105	1.59	Manitou	Bolt-on	854	526-60, 526-56, 525-60
980/A2011	2450	2205	1.66	Manitou	Bolt-on	872	535-95, 531-70, 536-60, 536-70, 541-70, TM320
980/A2012	2150	1905	1.45	Tool Carrier	Bolt-on	785	526-60, 526-56, 525-60
980/A2014	2350	2105	1.59	Tool Carrier	Bolt-on	831	526-60, 526-56, 525-60

## FABRICATED GRAB



PART NUMBER	WIDTH A (mm)	WIDTH B (mm)	CAPACITY (M <sup>3</sup> )	ATTACHMENT PICKUP	TOEPLATE TYPE	WEIGHT (kg)	MACHINE FITMENT
980/A1980	2350	2165	1.59	Q-Fit	Weld-on	828	526-60, 526-56, 525-60
980/A1981	2450	2265	1.66	Q-Fit	Weld-on	847	535-95, 531-70, 536-60, 536-70, 541-70, TM320
980/A1982	2150	1965	1.45	Pin & Cone	Weld-on	799	526-60, 526-56, 525-60
980/A1984	2450	2265	1.66	Pin & Cone	Weld-on	870	535-95, 531-70, 536-60, 536-70, 541-70, TM320
980/A1986	2350	2165	1.59	Manitou	Weld-on	853	526-60, 526-56, 525-60
980/A1987	2450	2265	1.66	Manitou	Weld-on	872	535-95, 531-70, 536-60, 536-70, 541-70, TM320
980/A1988	2150	1965	1.45	Tool Carrier	Weld-on	778	526-60, 526-56, 525-60
980/A1989	2350	2165	1.59	Tool Carrier	Weld-on	830	526-60, 526-56, 525-60
980/A1990	2350	2165	1.59	Q-Fit	Bolt-on	825	526-60, 526-56, 525-60
980/A1991	2450	2265	1.66	Q-Fit	Bolt-on	843	535-95, 531-70, 536-60, 536-70, 541-70, TM320
980/A1992	2150	1965	1.45	Pin & Cone	Bolt-on	796	526-60, 526-56, 525-60
980/A1993	2450	2265	1.66	Pin & Cone	Bolt-on	866	535-95, 531-70, 536-60, 536-70, 541-70, TM320
980/A1994	2350	2165	1.59	Manitou	Bolt-on	850	526-60, 526-56, 525-60
980/A1995	2450	2265	1.66	Manitou	Bolt-on	868	535-95, 531-70, 536-60, 536-70, 541-70, TM320
980/A1996	2150	1965	1.45	Tool Carrier	Bolt-on	775	526-60, 526-56, 525-60
980/A1997	2350	2165	1.59	Tool Carrier	Bolt-on	827	526-60, 526-56, 525-60